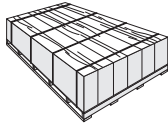


IMPORTANT: FAILURE TO INSTALL AND FINISH THIS PRODUCT IN ACCORDANCE WITH APPLICABLE BUILDING CODES AND JAMES HARDIE'S WRITTEN APPLICATION INSTRUCTIONS MAY LEAD TO PERSONAL INJURY, AFFECT SYSTEM PERFORMANCE, VIOLATE LOCAL BUILDING CODES, AND VOID THE PRODUCT ONLY WARRANTY.

STORAGE & HANDLING:

Store flat and keep dry and covered prior to installation. Installing siding wet or saturated may result in shrinkage at butt joints. Carry panels on edge. Protect edges and corners from breakage. James Hardie is not responsible for damage caused by improper storage and handling of the product.



CUTTING INSTRUCTIONS

OUTDOORS

1. Position cutting station so that wind will blow dust away from user and others in working area.
2. Use one of the following methods:
 - a. Best:
 - i. Score and snap
 - ii. Shears (Pneumatic or Handheld)
 - b. Better:
 - i. Dust reducing circular saw equipped with a Hardiblade® saw blade and HEPA vacuum extraction
 - c. Good:
 - i. Dust reducing circular saw with a Hardiblade saw blade (only use for low to moderate cutting)

INDOORS

1. Cut only using score and snap, or shears (manual, electric or pneumatic).
2. Position cutting station in well-ventilated area

- NEVER use a power saw indoors
- NEVER use a circular saw blade that does not carry the Hardiblade saw blade trademark
- NEVER dry sweep - Use wet suppression or HEPA Vacuum

Important Note: For maximum protection (lowest respirable dust production), James Hardie recommends always using "Best"-level cutting methods where feasible.

NIOSH-approved respirators can be used in conjunction with above cutting practices to further reduce dust exposures. Additional exposure information is available at www.jameshardie.com to help you determine the most appropriate cutting method for your job requirements. If concern still exists about exposure levels or you do not comply with the above practices, you should always consult a qualified industrial hygienist or contact James Hardie for further information.

SD083105

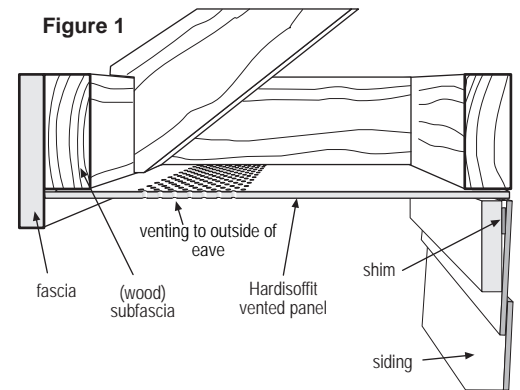
GENERAL REQUIREMENTS:

- These instructions are to be used for the application of Hardisoffit® panels on conventional, site construction. For other applications, such as those for factory-built construction (including manufactured housing, modular or panelized buildings) please contact James Hardie Building Products.
- Hardisoffit panels may be installed over either steel or wood framing complying with the local building code. Install soffits to nominal 2 x 4 framing members spaced a maximum of 24 inches on center, with the long dimension perpendicular to the framing. All edges must be supported by framing.
- Install weather barriers and air barriers as required by local building codes. James Hardie will assume no responsibility for water infiltration.
- Install kickout flashing at roof-wall junctions. (fig 4.)

INSTALLATION:

- Hardisoffit panels must be fastened to a solid, nailable substrate such as a wood 2x subfascia.
- Vented soffits can be installed as shown in figure 1. Position the vent holes toward the outside of the eave for optimal airflow. 12" to 24" wide Vented Hardisoffit panels provide 5.0 square inches of net free ventilation per lineal foot.
- Unvented soffits can be installed as shown in figure 2. Alternatively vents can be installed into unvented soffit.
- If necessary, an insect screen can be installed using construction adhesive. Note: net free ventilation will be reduced.

Figure 1



Jointing Methods

- Install panels in moderate contact at ends, or provide PVC or metal jointers, battens or leave appropriate gap and caulk. (fig 3)

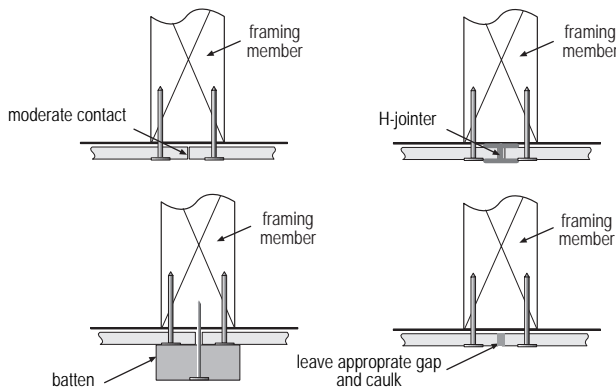
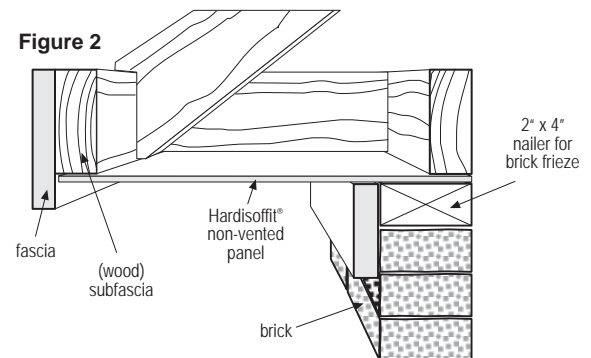


Figure 3

Figure 2



WARNING: AVOID BREATHING SILICA DUST

James Hardie® products contain respirable crystalline silica, which is known to the State of California to cause cancer and is considered by IARC and NIOSH to be a cause of cancer from some occupational sources. Breathing excessive amounts of respirable silica dust can also cause a disabling and potentially fatal lung disease called silicosis, and has been linked with other diseases. Some studies suggest smoking may increase these risks. During installation or handling: (1) work in outdoor areas with ample ventilation; (2) use fiber cement shears for cutting or, where not feasible, use a Hardiblade® saw blade and dust-reducing circular saw attached to a HEPA vacuum; (3) warn others in the immediate area; (4) wear a properly-fitted, NIOSH-approved dust mask or respirator (e.g. N-95) in accordance with applicable government regulations and manufacturer instructions to further limit respirable silica exposures. During clean-up, use HEPA vacuums or wet cleanup methods - never dry sweep. For further information, refer to our installation instructions and Material Safety Data Sheet available at www.jameshardie.com or by calling 1-800-9HARDIE (1-800-942-7343). FAILURE TO ADHERE TO OUR WARNINGS, MSDS, AND INSTALLATION INSTRUCTIONS MAY LEAD TO SERIOUS PERSONAL INJURY OR DEATH.

SD05905

